

A	1 X KG 4427	8 X KG 1000	D 3140 KGM ³	H = 3 MT
B	1 X KG 4427	6 X KG 445	D 4000 KGM ³	H = 3.1 MT

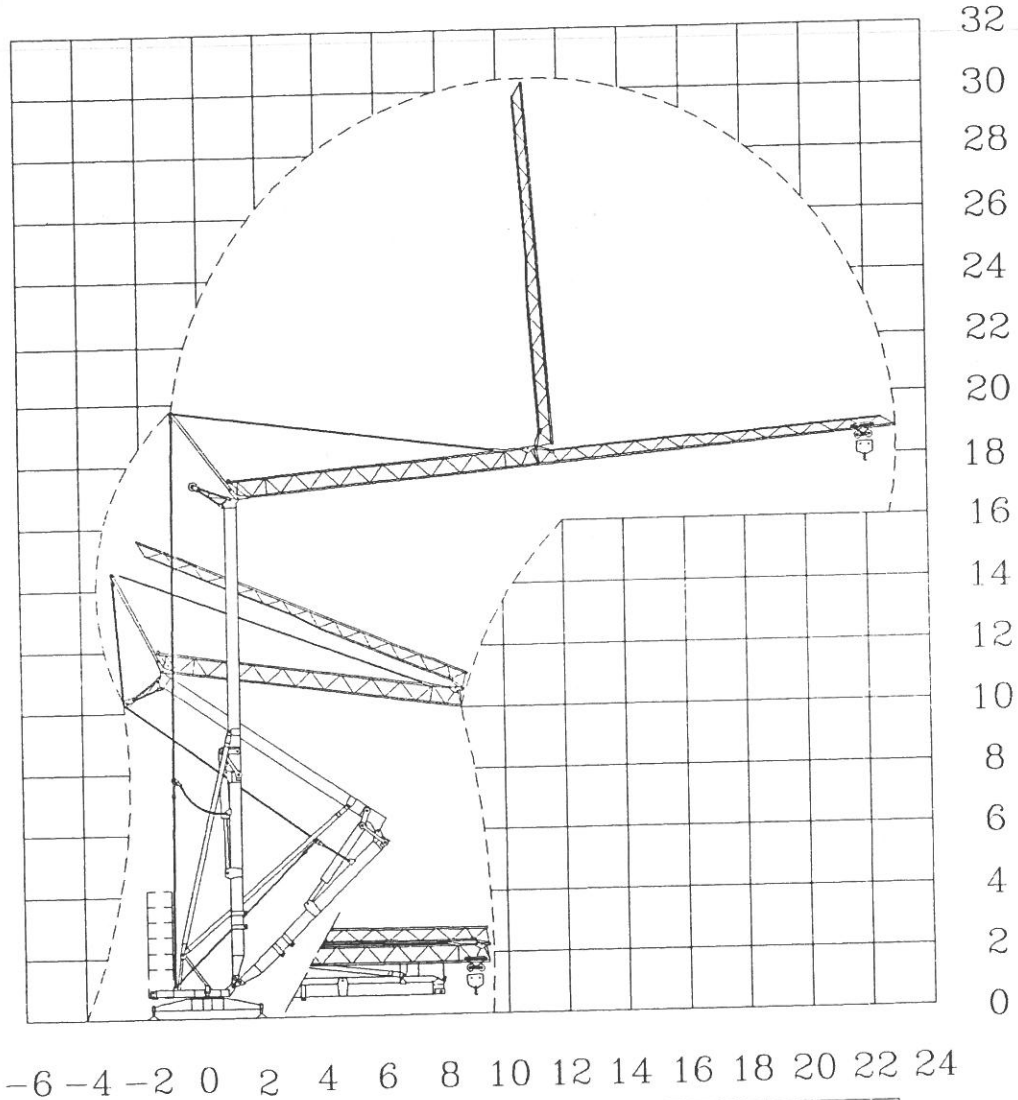
Load curves - Lastkurven - Courbes de charges - Curve di carico

		MT	9.5	13	15	18	22
	↓	KG	1600	1117	945	762	600

		MT	10.4	13	15	18	20
	↓	KG	1600	1239	1050	848	750

Luffing jib - Ausleger in Steilstellung 500 kg cost
 Flèche relevée - Braccio impennato

22 60-16



Space requirement - Abmessungen
 Encombrement au montage - Ingombro montaggio

22-600 T		m/min	kw	cv	kg M.	kg T.	⚡	
		4.3	1.1	1.5		1600	V	220 380
		17	4.5	6		1600	HZ	50
		34	4.5	6		600	KW	13.5
		22	1.5	2				
		1	1.5	2				

Dead weight without transport axles - Konstruktionsgewicht ohne transportachse
 Poids de construction sans essieux - Peso della gru senza assali kg 6500

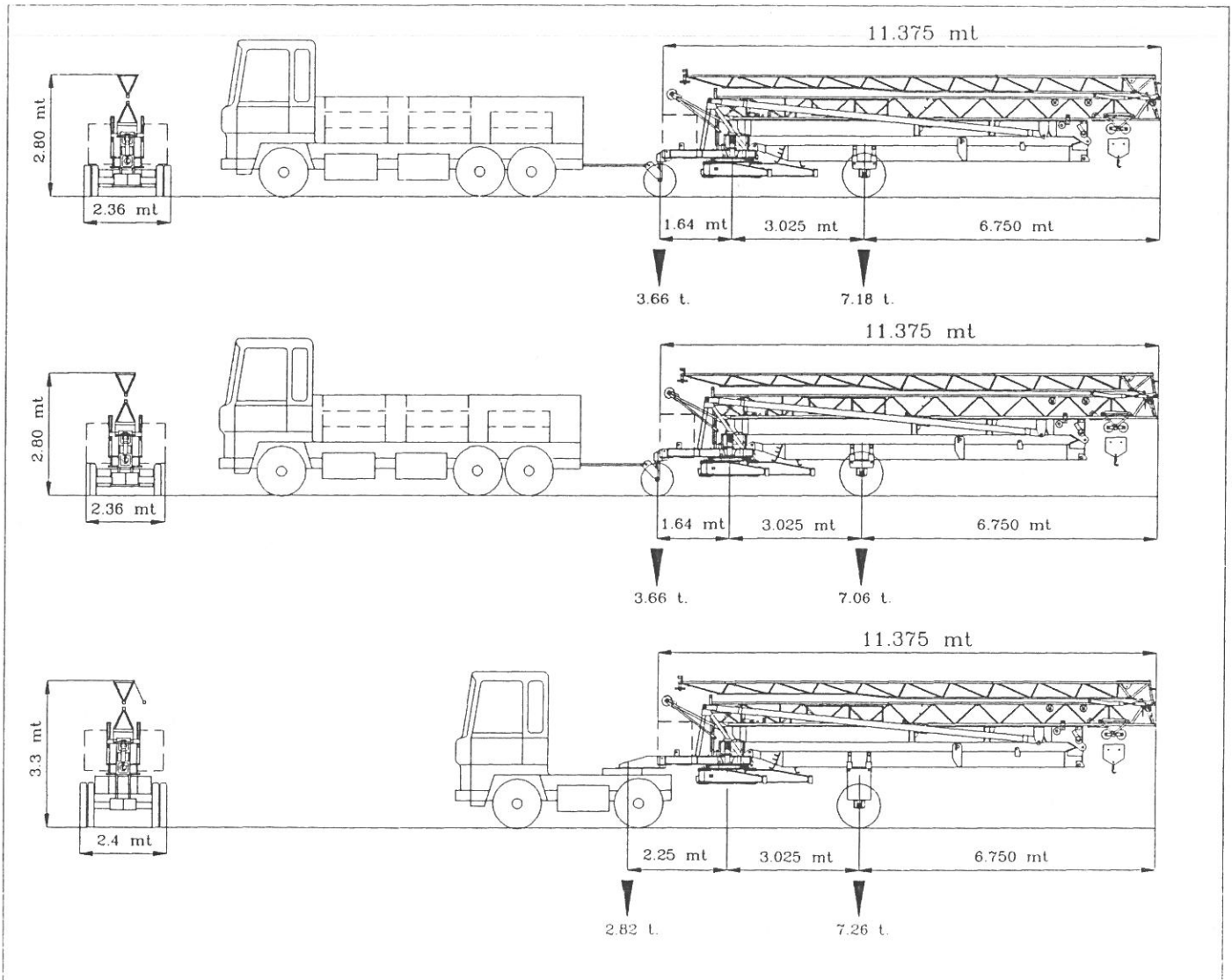
Ballast weight - Ballastgewicht
 Poids du lest - Peso zavorra rotante kg 11000

TRANSPORT
ROAD

TRANSPORT
STRASSE

TRANSPORT
ROUTIER

TRASPORTO
SU STRADA

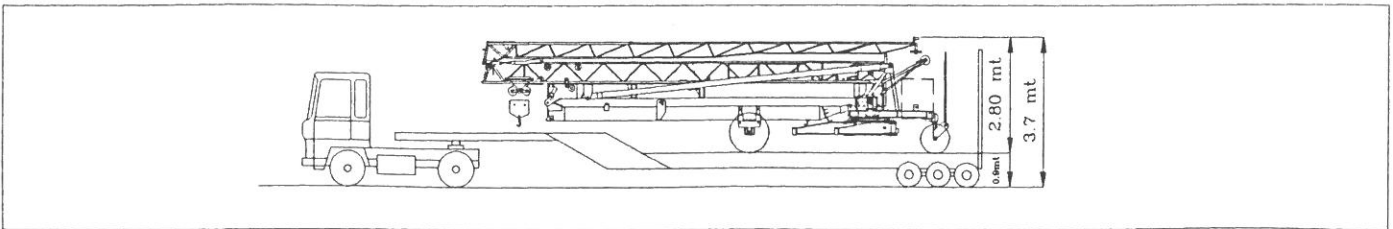


ON
LORRY

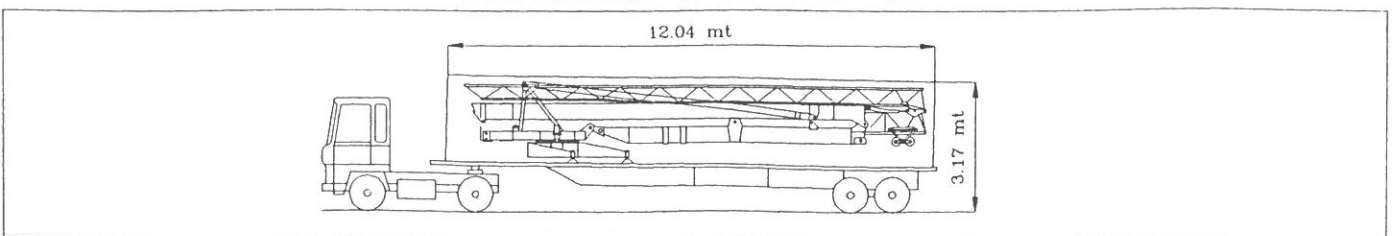
AUF
LKW

SUR
CAMION

SU
CAMION



CONTAINER OPEN TOP 40'



SUBJET TO MODICATION - ANDERUNGEN VORBEHALTEN - MODIFICATIONS RESERVEES - CON RISERVA DI MODIFICA